



DIESEL HYDRAULIC LUFFING CRANE RANGE

Model	Max Load		Capacity (Load @ Max radius)		Max Hoist Speed	
	Kg	Lb	Kg @ m	Lb @ ft	M/min	Ft/min
TD133	8,000	17,635	1,750 @ 55.0	3,860 @ 180	79.0	260.0
M70D	15,000	33,070	1,200 @ 40.0	2,645 @ 130	189.1	620.0
M120RX	18,000	39,600	2,000 @ 50.0	4,410 @ 172	120.0	393.0
M220D	18,000	39,600	3,000 @ 52.5	6,610 @ 172	130.0	426.0
M380D	32,000	70,545	3,400 @ 60.0	7,495 @ 196	210.0	688.0
M440D	50,000	110,230	2,700 @ 65.0	5,952 @ 213	167.4	550.0
M600D	50,000	110,230	3,000 @ 70.0	6,613 @ 230	167.4	550.0
M760D	64,000	141,095	4,400 @ 70.0	9,700 @ 230	160.0	525.0
M900D	64,000	141,095	6,300 @ 70.0	13,890 @ 230	160.0	525.0
M1050D	96,000	211,643	18,900 @ 52.5	41,665 @ 172	130.0	426.0
M1280D	400,000	881,850	12,000 @ 106.0	26,400 @ 348	110.3	362.0

The table above is for guidance only, and can be customized to suit site requirements. Other capacities and sizes are also available.

Please contact any of our offices for further information.



**FAVELLE
FAVCO**
The Cranemakers

TOWER CRANES

MODEL M220D

- Maximum lift 30 t (66,140 lb)
- Tip capacity 3.0 t @ 52.5 m (6,615 lb @ 172 ft)
- Single Line Pull – 16.0 t (35,270 lb)
- Hoist speed 92 m/min (301 ft/min)
- Luffing boom
- Split machinery deck for ease of erection and dismantling
- External and Internal climbing systems
- State-of-the-art Load Moment Indicator

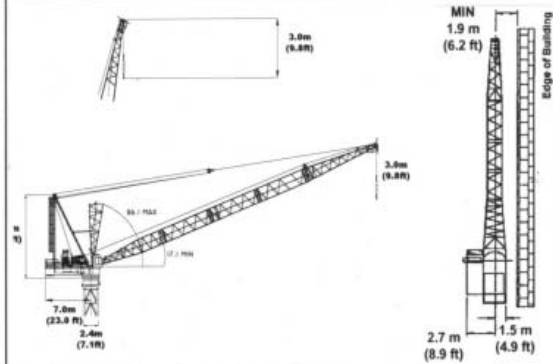
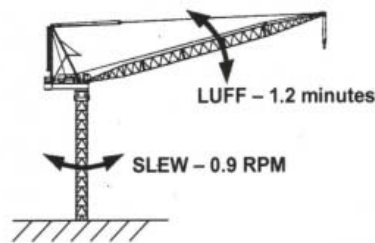
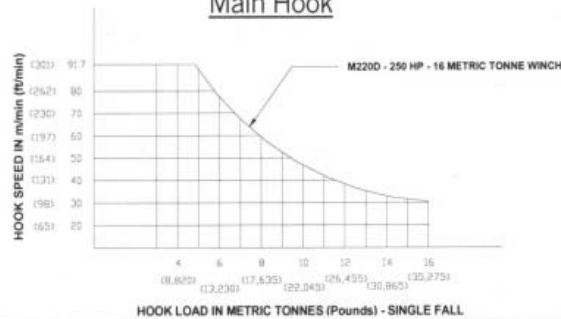
Working in Hong Kong

Radius & Capacity

Max Radius (ft)	Mn Radius (ft)	Max Radius (ft)	Radius Capacity (lb)											
			16 Metric Tonne (35,270 lb) Winches & 2-Fall											
		66,140 lb	16.4	32.8	49.2	65.6	82.0	98.4	114.8	131.2	139.4	147.6	155.8	172.3
(ft)	(ft)	(ft)	(ft)	(ft)	(ft)	(ft)	(ft)	(ft)	(ft)	(ft)	(ft)	(ft)	(ft)	(ft)
172.3	0.0	-	48,501	44,092	34,612	29,762	23,148	18,078	14,109	11,243	9,921	9,039	7,716	6,814
155.8	0.0	-	59,524	50,706	42,549	31,967	24,030	18,519	14,771	11,905	9,480	9,039	8,818	
139.4	0.0	24.6	66,138	58,422	45,635	32,628	24,471	19,180	15,432	12,566	11,243			
131.2	0.0	32.8	66,138	66,138	44,533	33,289	25,132	19,621	15,873	13,007				
114.8	0.0	32.8	66,138	66,138	46,958	33,951	25,794	20,503	16,535					
98.4	0.0	32.8	66,138	66,138	47,399	34,392	26,455	20,944						
82.0	0.0	32.8	66,138	66,138	48,060	34,392	26,455							

Speeds

Main Hook



FAVELLE FAVCO CRANES USA, INC
 4 Mile East, FM 106, PO Box 3049
 Harlingen, Texas 78551-3049 USA
 Tel: (956) 428-7488
 Fax: (956) 428-7749
 Email: sales@favcousa.com

www.favellefavco.com

Dealer:



Malaysia Tel: +603 3373-7835 Fax: +603 3373-7830 Email: admin@ffc.po.my
Australia Tel: +612 9608-2000 Fax: +612 9607-0022 Email: favcosyd@favellefavco.com.au
Singapore Tel: +65 366-3508 Fax: +65 366-3503 Email: favelle@singnet.com.sg
London Tel: +44 20 7016-9701 Fax: +44 20 7016-9100 Email: favcokroll@aol.com
Denmark Tel: +45 4818-7400 Fax: +45 4818-8807 Email: krollcranes@krollcranes.dk
Thailand Tel: +66 2261-0580 Fax: +66 2259-1537 Email: favco@bkk4.loxinfo.co.th

Note: All charts and specifications are for information only and should not be used for lifting purposes. Continuous engineering and improvements makes it necessary that we reserve the right to make specification, equipment and price changes without notice.



TOWER CRANES

MODEL M440D

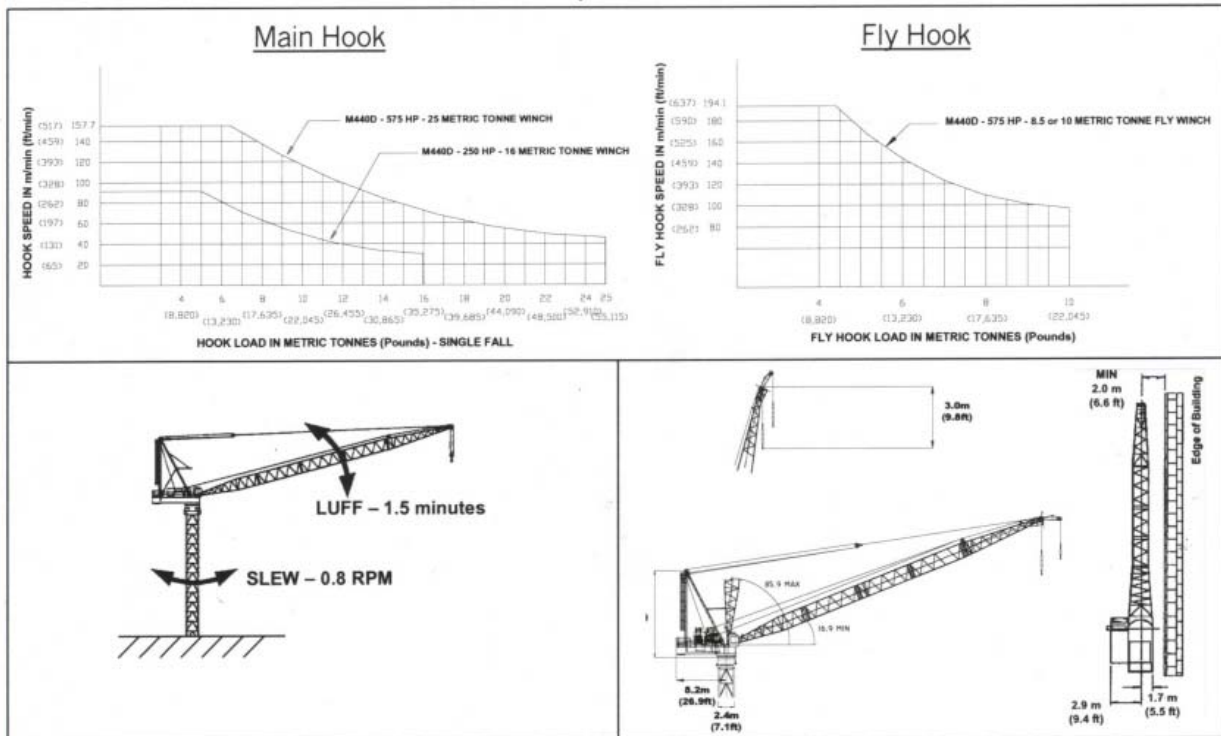
- Maximum lift 50 t (110,230 lb)
- Tip capacity 6.6 t @ 55.0 m (14,550 lb @ 180 ft)
- Boom working radius up to 65.0 m (213 ft)
- Single Line Pull – 25.0 t (55,115 lb)
- Hoist speed 158 m/min (517 ft/min)
- Luffing boom
- Fly jib – 8.5 t (18,740 lb) or 10.0 t (22,045 lb)
- Split machinery deck for ease of erection and dismantling
- External and Internal climbing systems
- State-of-the-art Load Moment Indicator

Working at Lexington Belvedere,
New York

Radius & Capacity

Max Radius (ft)	Min Radius (ft)	Max Radius (ft)	Radius Capacity (lb)																		
			25 Metric Tonne (55,115 lb) & 16 Metric Tonne (35,270 lb) Winches & 2-Fall																		
		110,230 lb	32.8	49.2	65.6	82.0	98.4	106.6	114.8	123.0	131.2	139.4	147.6	155.8	164.1	172.3	180.5	188.7	196.9	205.1	213.3
213.3	19.7	-	55,115	49,604	42,990	37,919	33,069	30,203	27,778	24,912	22,487	20,282	18,298	16,755	15,212	13,448	12,125	10,803	9,480	7,937	5,952
196.9	17.4	-	67,461	57,981	50,706	44,092	37,258	33,510	29,983	27,337	24,692	22,487	20,503	18,519	16,755	15,212	13,889	12,566	10,582		
180.5	16.4	-	70,547	65,697	56,879	47,840	38,581	34,833	31,305	28,439	26,014	23,589	21,385	19,400	17,637	16,094	14,550				
172.3	14.4	-	97,002	90,389	65,697	50,265	39,903	35,935	32,187	29,101	26,455	24,251	22,046	20,503	18,739	17,637					
165.8	13.8	39.4	110,230	92,593	66,579	50,706	40,344	36,596	32,849	29,983	27,337	25,132	22,928	20,944							
139.4	12.8	42.7	110,230	93,255	67,461	51,808	41,226	37,478	33,951	31,085	28,219	25,794									
131.2	12.1	43.3	110,230	94,357	67,681	52,469	41,887	38,140	34,392	31,305	28,880										
114.8	10.8	43.6	110,230	95,459	67,902	52,910	42,769	39,021	35,494												
98.4	9.8	43.6	110,230	95,900	69,004	53,351	42,990														

Speeds



FAVELLE FAVCO CRANES USA, INC
 4 Mile East, FM 106, PO Box 3049
 Harlingen, Texas 78551-3049 USA
 Tel: (956) 428-7488
 Fax: (956) 428-7749
 Email: sales@favcouusa.com

www.favellefavco.com

Dealer:



- Malaysia Tel: +603 3373-7835 Fax: +603 3373-7830 Email: admin@ffc.po.my
- Australia Tel: +612 9608-2000 Fax: +612 9607-0022 Email: favcosyd@favellefavco.com.au
- Singapore Tel: +65 366-3508 Fax: +65 366-3503 Email: favelle@singnet.com.sg
- London Tel: +44 20 7016-9701 Fax: +44 20 7016-9100 Email: favcokroll@aol.com
- Denmark Tel: +45 4818-7400 Fax: +45 4818-8807 Email: krollcranes@krollcranes.dk
- Thailand Tel: +66 2261-0580 Fax: +66 2259-1537 Email: favco@bkk4.loxinfo.co.th

Note: All charts and specifications are for information only and should not be used for lifting purposes. Continuous engineering and improvements makes it necessary that we reserve the right to make specification, equipment and price changes without notice.

FVELLE
FAVCO
The Cranemakers



TOWER CRANES

MODEL M760D

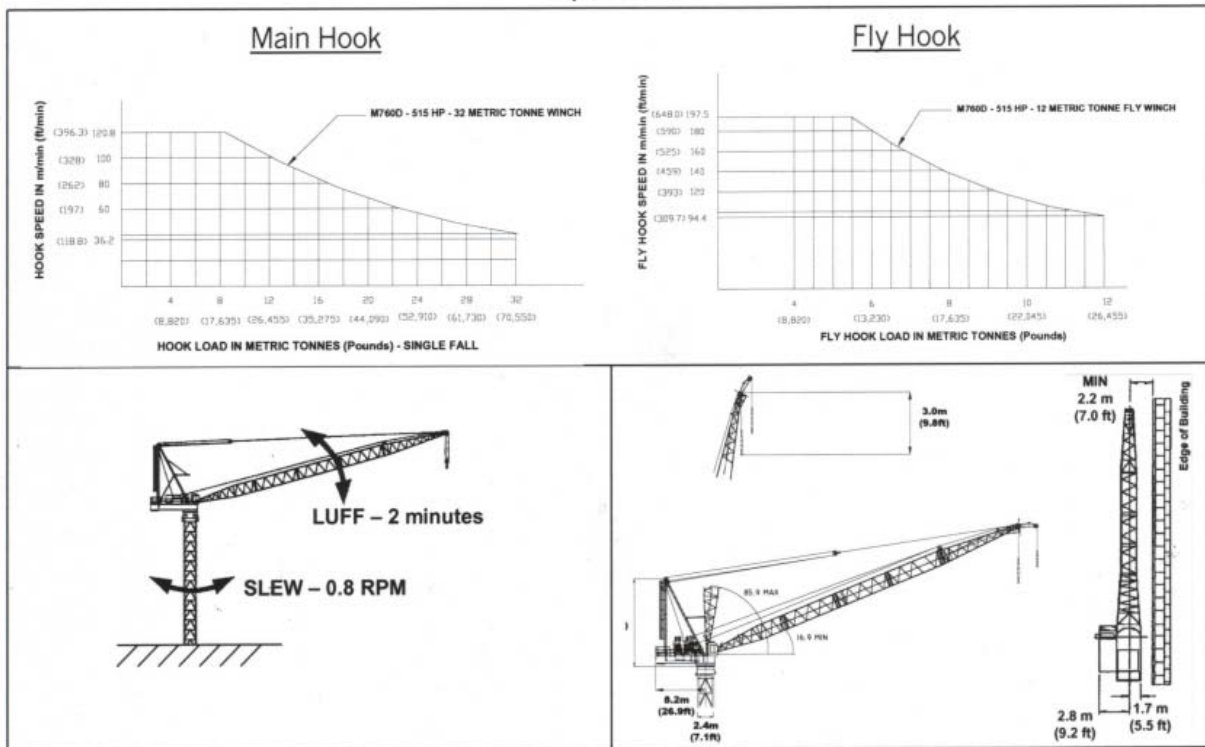
- Maximum lift 64 t (141,095 lb)
- Tip capacity 10.0 t @ 55.0 m (22,270 lb @ 180 ft)
- Boom working radius up to 70.0 m (230 ft)
- Single Line Pull – 32.0 t (70,550 lb)
- Hoist speed 120 m/min (400 ft/min)
- Luffing boom
- Fly jib – 12 t (26,455 lb)
- Split machinery deck for ease of erection and dismantling
- External and Internal climbing systems
- State-of-the-art Load Moment Indicator

Working at Burj Al-Arab, Dubai

Radius & Capacity

Max Radius (ft)	Min Radius (ft)	Max Radius (ft)	Radius Capacity (lb)																					
			32 Metric Tonne (70,550 lb) Winch & 2-Fall																					
			141,095	32.8	49.2	65.6	82.0	98.4	106.6	114.8	123.0	131.2	139.4	147.6	155.8	164.1	172.3	180.5	188.7	196.9	205.1	213.3	221.5	229.7
(ft)	(ft)	(ft)	(ft)	(ft)	(ft)	(ft)	(ft)	(ft)	(ft)	(ft)	(ft)	(ft)	(ft)	(ft)	(ft)	(ft)	(ft)	(ft)	(ft)	(ft)	(ft)	(ft)	(ft)	(ft)
229.7	21.3	-	65,036	56,879	50,706	45,194	39,903	37,258	34,612	32,187	29,762	27,558	25,132	22,928	21,164	19,180	17,416	15,873	14,330	6,393	11,684	10,803	9,700	
213.3	20.7	-	70,547	62,611	55,115	48,501	42,328	39,462	36,596	33,730	31,085	28,439	25,794	23,589	21,805	20,062	17,857	16,314	15,212	13,889	12,787			
196.9	19.0	-	70,547	70,547	67,240	55,776	46,517	42,769	39,021	35,935	33,069	30,423	27,998	26,014	24,030	22,266	20,503	18,960	17,196					
180.5	18.0	-	70,547	70,547	70,547	66,799	52,249	47,619	43,431	39,683	36,596	33,730	31,085	28,660	26,235	24,030	22,266							
172.3	14.4	23.0	127,867	114,639	95,900	73,854	59,524	54,013	48,501	44,533	40,785	37,699	34,612	32,187	29,762	27,778								
165.8	14.1	36.1	141,094	131,174	96,341	74,956	60,166	54,895	49,604	45,635	41,887	38,801	35,715	33,069										
139.4	13.1	46.3	141,094	132,276	96,561	76,720	61,067	55,997	50,706	46,517	42,549	39,683												
131.2	12.1	46.6	141,094	132,717	97,002	77,161	62,170	56,879	51,808	47,619	43,431													
114.8	10.8	47.6	141,094	133,378	98,105	77,602	62,831	57,540	52,249															

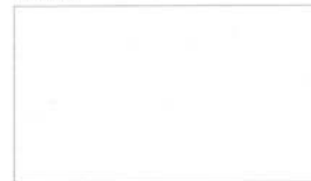
Speeds



FAVELLE FAVCO CRANES USA, INC
 4 Mile East, FM 106, PO Box 3049
 Harlingen, Texas 78551-3049 USA
 Tel: 956 428 7488
 Fax: 956 428 7749
 Email: sales@favcousa.com

www.favellefavco.com

Dealer:



Malaysia	Tel: +603 3373-7835	Fax: +603 3373-7830	Email: admin@ffc.po.my
Australia	Tel: +612 9608-2000	Fax: +612 9607-0022	Email: favcosyd@favellefavco.com.au
Singapore	Tel: +65 366-3508	Fax: +65 366-3503	Email: favelle@singnet.com.sg
London	Tel: +44 20 7016-9701	Fax: +44 20 7016-9100	Email: favcokroll@aol.com
Denmark	Tel: +45 4818-7400	Fax: +45 4818-8807	Email: krollcranes@krollcranes.dk
Thailand	Tel: +66 2261-0580	Fax: +66 2259-1537	Email: favco@bkk4.loxinfo.co.th

Note: All charts and specifications are for information only and should not be used for lifting purposes. Continuous engineering and improvements makes it necessary that we reserve the right to make specification, equipment and price changes without notice.



FVELLE
FAVCO
The Cranemakers

TOWER CRANES

MODEL M1280D

- Lift up to 400 t (881,850 lb)
- Tip capacity up to 66 t (145,505 lb)
- Boom working radius up to 82.6 m (270 ft)
- Single Line Pull – 50.0 t (110,120 lb)
- Hoist speed 110 m/min (360 fpm)
- Luffing boom
- Fly jib
- Split machinery deck for ease of erection and dismantling
- External and Internal climbing systems
- State-of-the-art Load Moment Indicator

Working at Burrinjuck Dam,
Australia